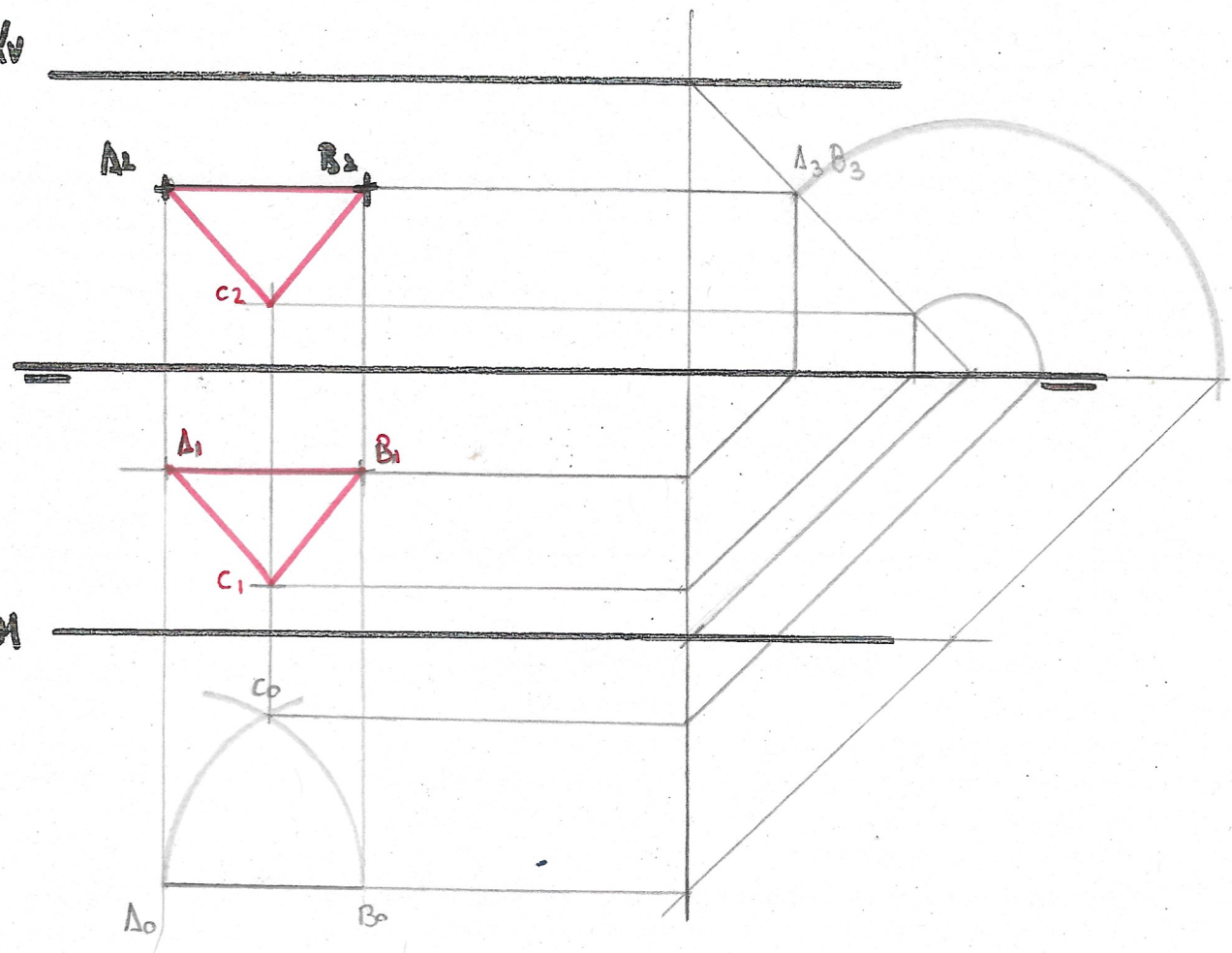


$d_2$



$d_1$

$\alpha: \{d_u, d_v, c\}$

